

Sanitary support for sink and double faucet

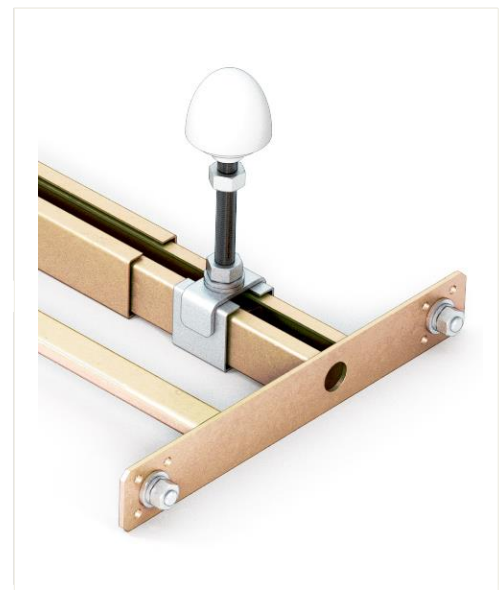
Product description:

Sanitary support for sink and faucet is construction element which is produced by compression molding and sheet metal sections of "C" shape. The metal profiles are attached to side plate-by welding and thus form two sliding spacers. To maintain the required resistance in humid environments, both structures are after welding protected with yellow (standard) or blue (on request) galvanized zinc. Fasteners provide attachment to the structure and fixing spacers.



Range of usage:

The product is used for mounting the sink and double faucet into the vertical structure of the building. The bracket can be used in masonry, plasterboard or wood construction.



Characteristics:

Identification code	1.348301 T
Order code	TMD-0216
Name	RKU-01 support for sink and faucet
Packaging	1 pc (440x250x40 mm)
Weight	2,60 kg
Permissible load	-
Material	Rolled sheet, drawn steel
Coating	Yellow/blue zinc (ČSN ISO 4520)
Thickness	3.00 mm (ČSN EN 10143)
Reaction to fire	Class A1 (EN 14195)
Durability	Class B
Hazardous substance	NPD

Real weight may vary in range of +/-5% according to ČSN EN10143

Mounting:

Unpack the individual parts and assemble them according to the instruction manual. Put the complete structures into the prepared wall opening and stretch the brackets to whole width. Using the side plates and fasteners anchor the construction to CW profiles, masonry or wooden beams. Tight the safety screw to fix the bracer's movement. Set the spacing and location of screws and tight it as well. Block the opening so only the pipe input is visible. Finish the surface and attach the devices.



Sanitary support for sink and double faucet

Packaging:

The sanitary support is packed unassembled in a carton box which is labeled with identification tag. The manual for mounting and assembly is included.

Recommended storage:

The product is required to store in dry and temperate environment in order to prevent condensation on the surface of the product and damage to the packaging.

Technical drawing:

