

Quick hanger CD 60 - 4-point

Product description:

Quick hanger bracket is a metal construction element which is produced by compression molding from rolled metal zinc sheet with thickness of 0.80 mm or 1.00 mm and single spring clip which is press into the hanger with two rivets. Hanger is available also without spring clip for direct mounting into the wooden construction or on movable steel belt.

Range of usage:

The product is used for metal profile CD 60x27 mounting into a horizontal construction of the buildings.

Characteristics:

Material	Rolled sheet DX51
Coating	Zinc – min Z100 (ČSN EN 10327)
Thickness	0.80 mm / 1.00 mm (ČSN EN 10143)
Reaction to fire	Class A1 (EN 14195)
Durability	Class B
Hazardous substance	NPD

Product variability:

Code	Name	Load	Pack	Weight
TMD- 3327 (1.348118 T)	Quick hanger bracket CD 60/27 - 4-point	0,40 kN	100 pcs	0,0403 kg
TMD- 3436 (1.348118,08)	Quick hanger bracket CD 60/27 - 4-point (1.00 mm)	0.40 kN	100 pcs	0,0482 kg
TMD- 2597 (1.348171 T)	Quick hanger without spring CD 60/27 - 4-point	0.40 kN	100 pcs	0,0318 kg
TMD- 3983 (1.348171,1 T)	Quick hanger without spring CD 60/27 - 4-point (1.00 mm)	0.40 kN	100 pcs	0,0397 kg

Real weight may vary in range of +/-5% according to ČSN EN10143

Mounting:

Mount the suspension wire with eyelet into the solid structure with ceiling anchor in required length. Put the quick hanger into the CD profile and rotate it until locked. Slide the spring clip of hanger onto the wire and even out the construction.

Hanger without spring is locked into the profile same way. For mounting into the building structure you can use movable steel belt and metric bolts or self-drilling screws into the wooden laths.



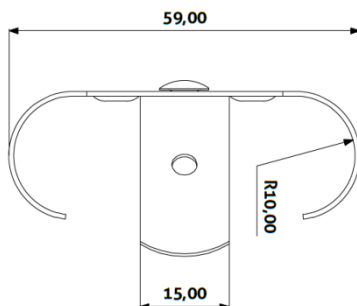
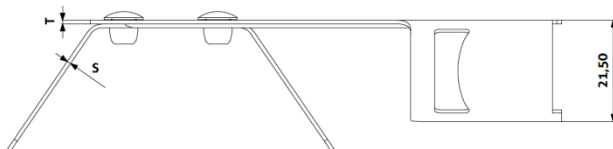
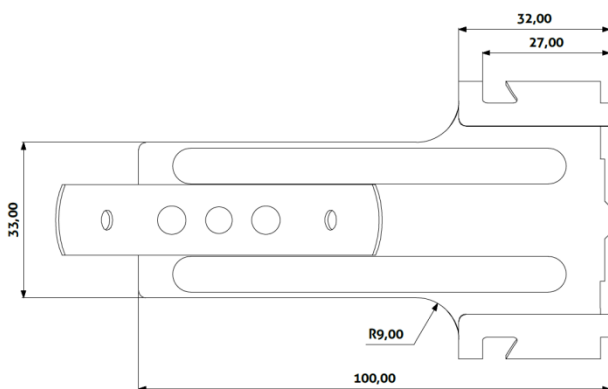
Quick hanger CD 60 - 4-point

Packaging:

Hangers are packed by 100 pcs in carton box. Every dimension is labeled with identification tag.

Recommended storage:

The product is required to store in dry and temperate environment in order to prevent condensation on the surface of the product and damage to the packaging.



Kód	Název	T	S
TMD- 3327	Quick hanger bracket CD 60/27 - 4-point	0.80 mm	0.70 mm
TMD- 3436	Quick hanger bracket CD 60/27 - 4-point	1.00 mm	0.80 mm
TMD- 2597	Quick hanger without spring CD 60/27 - 4-point	0.80 mm	0.70 mm
TMD- 3983	Quick hanger without spring CD 60/27 - 4-point	1.00 mm	0.80 mm